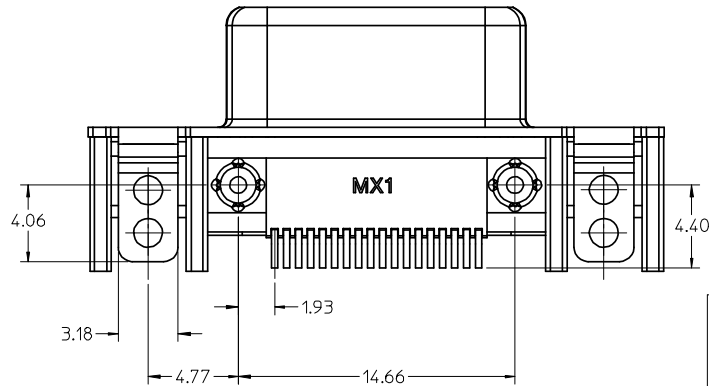
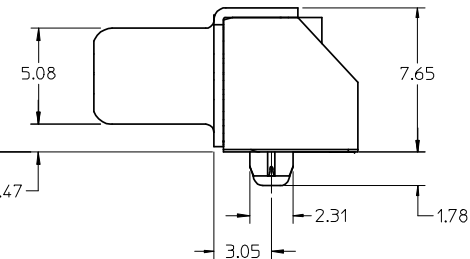
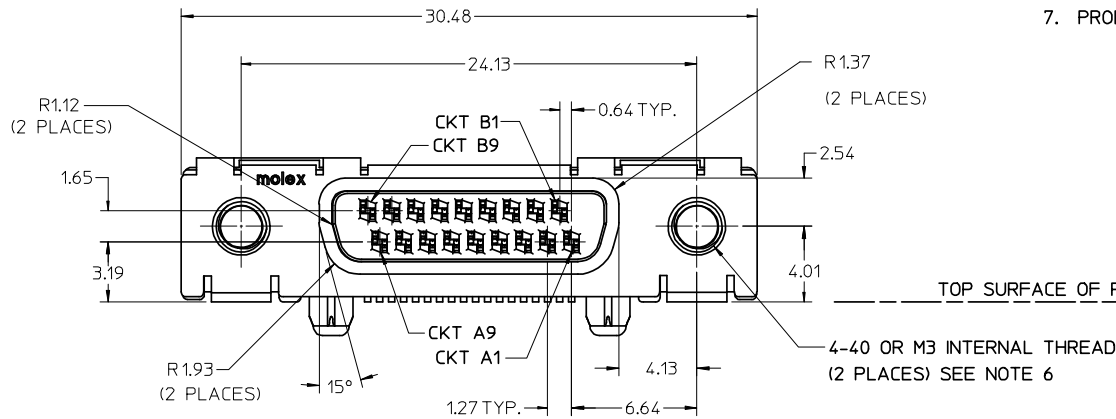
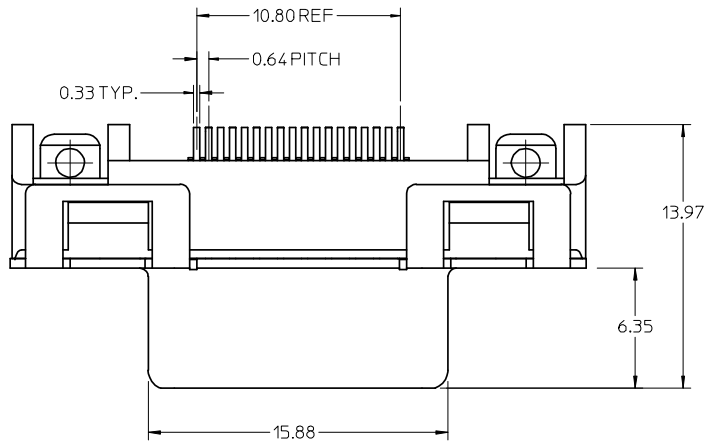
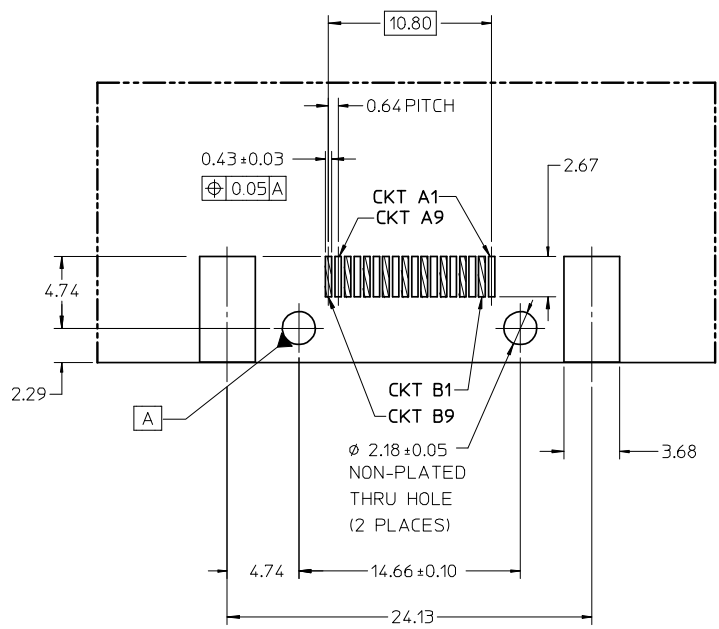


NOTES:

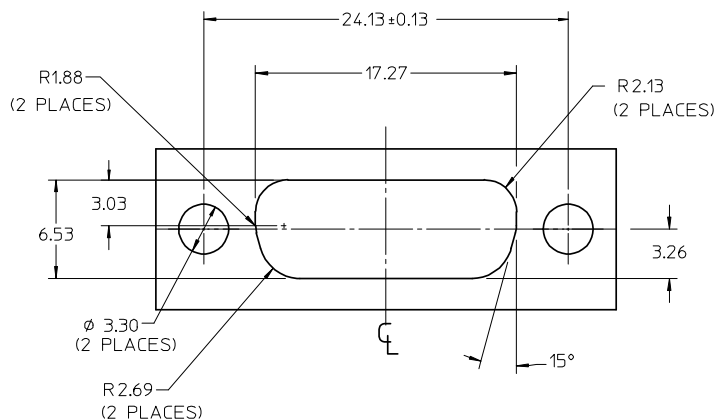
- MATERIALS:**
 SHIELD: DEEP DRAWN STEEL
 HOUSING: GLASS FILLED POLYMER, BLACK, UL 94V-0
 CONTACTS: COPPER ALLOY
- PLATING:**
 SHIELD: 2.54 MICROMETERS BRIGHT TIN (Sn) MINIMUM OVER 1.27 MICROMETERS NICKEL (Ni) MINIMUM OVER COPPER (Cu) UNDERPLATE OVERALL.
 TERMINAL: SELECTIVE GOLD (Au) IN CONTACT AREA, THICKNESS: 0.38 MICROMETERS MINIMUM, SELECTIVE TIN (Sn) IN TAIL AREA, THICKNESS 2.54 MICROMETERS MINIMUM, NICKEL (Ni) UNDERPLATE OVERALL.
- SMT TAILS AND TWO GROUND TABS ARE COPLANAR WITHIN 0.127mm.
- PARTS ARE PACKAGED IN TAPE AND REEL PER PK-74960-995.
- REFER TO SHEET 2 FOR RECOMMENDED PCB LAYOUT AND PANEL CUT-OUT.
- RECOMMENDED JACK POST MOUNTING HARDWARE (QUANTITY: 2 PER ASSEMBLY). SEE CHART ON SHEET 2 FOR JACK POST NUMBER AND REFER TO SALES DRAWING SD-74962-000.
- PRODUCT CONFORMS TO MOLEX PRODUCT SPECIFICATION PS-74150-001.



REVD UCP2008-1060 EC NO: UCP2008-1060 DRWN:MCCLLELL 2008/01/25 CHKD:MCCLLELL 2008/01/25 APPR:MBANAKIS 2008/01/28	QUALITY SYMBOLS ▽=0 ▽=0	GENERAL TOLERANCES (UNLESS SPECIFIED)		DIMENSION STYLE MM ONLY	SCALE 5:1	DESIGN UNITS INCH	THIRD ANGLE PROJECTION	
		4 PLACES ± --- ± ---	DRAWN BY DMORGAN	DATE 05/01/12	TITLE SALES DRAWING 1X PCIE 18 CIRCUIT RECEPTACLE ASSEMBLY			
		3 PLACES ± --- ± ---	CHECKED BY BBARKER	DATE 05/01/12	MOLEX INCORPORATED			
		2 PLACES ± 0.13 ± ---	APPROVED BY SMILLER	DATE 05/01/12	MATERIAL NO. SEE CHART	DOCUMENT NO. SD-74150-001	SHEET NO. 1 OF 2	
1 PLACE ± --- ± ---	ANGULAR ± 1/2°	DRAFT WHERE APPLICABLE MUST REMAIN WITHIN DIMENSIONS		THIS DRAWING CONTAINS INFORMATION THAT IS PROPRIETARY TO MOLEX INCORPORATED AND SHOULD NOT BE USED WITHOUT WRITTEN PERMISSION				



NOTE: CIRCUIT PADS B1 THRU B9 ARE HATCHED FOR CLARIFICATION.
RECOMMENDED PCB LAYOUT



RECOMMENDED PANEL CUTOUT
PANEL THICKNESS 0.51 MINIMUM TO 1.02 MAXIMUM

RECOMMENDED JACKPOST INTERNAL THREAD OPTIONS (SEE NOTE 6 ON SHEET 1)	
4-40	M3
74962-0001	74962-0002

4-40 THREAD
INTERNAL THREAD

MATERIAL NUMBER	INTERNAL THREAD	
74150-0001	4-40	
74150-0002	M3	CONTACT PRODUCT MARKETING

SEE SHEET 1 EC NO: UCP2008-1060 DRWN:TMCCLELL 2008/01/25 CHKD:TMCCLELL 2008/01/25 APPR:MBANAKIS 2008/01/28	QUALITY SYMBOLS ▽=0 ▽=0	GENERAL TOLERANCES (UNLESS SPECIFIED)		DIMENSION STYLE MM ONLY		SCALE 4:1	DESIGN UNITS INCH	THIRD ANGLE PROJECTION	
		4 PLACES ± --- ± --- 3 PLACES ± --- ± --- 2 PLACES ± 0.13 ± --- 1 PLACE ± --- ± ---	mm INCH	DRAWN BY DMORGAN	DATE 05/01/12	TITLE SALES DRAWING 1X PCIE 18 CIRCUIT RECEPTACLE ASSEMBLY			
		ANGULAR ± 1/2°		CHECKED BY BBARKER	DATE 05/01/12	MOLEX MOLEX INCORPORATED			
		DRAFT WHERE APPLICABLE MUST REMAIN WITHIN DIMENSIONS		APPROVED BY SMILLER	DATE 05/01/12	MATERIAL NO. SEE CHART	DOCUMENT NO. SD-74150-001	SHEET NO. 2 OF 2	

THIS DRAWING CONTAINS INFORMATION THAT IS PROPRIETARY TO MOLEX INCORPORATED AND SHOULD NOT BE USED WITHOUT WRITTEN PERMISSION